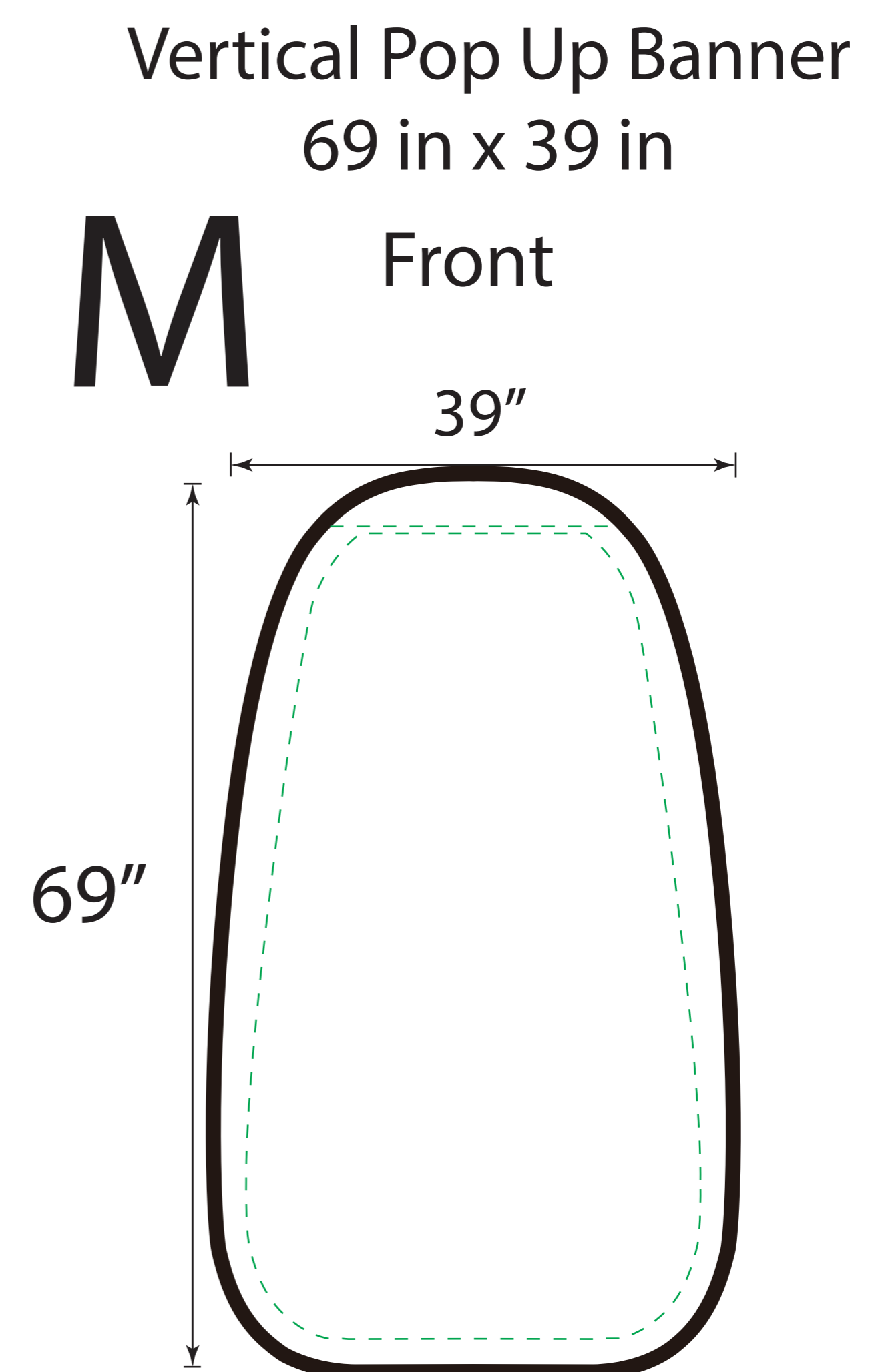
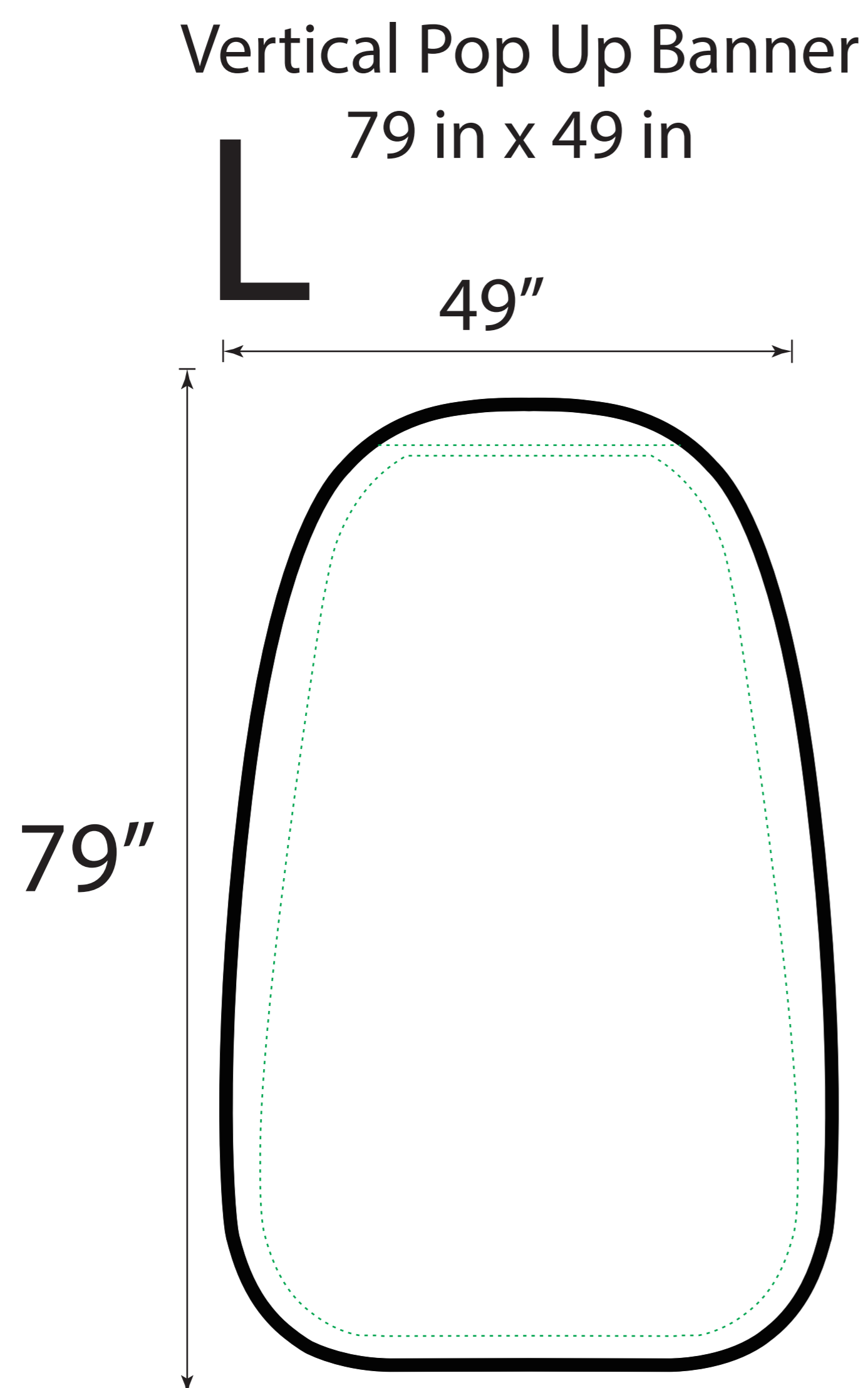


**SCALE 10%  
OF ACTUAL SIZE**

## Pop Up A Frame Banner Vertical



**Adobe Illustrator (Mac or PC)** - convert your fonts to outlines and save as native Illustrator format (ai). Artwork should be in only vector format. Artwork should be in CMYK.

**Adobe Photoshop (Mac or PC)** - rasterize your fonts and save files as .psd (if you have layers) (or need transparency). Will also accept Photoshop EPS formats. Image resolution should be 150 dpi at 100% size the artwork is to be printed at. (or 300 dpi and 1/2 the actual size to be printed)

- All fonts need to be outlines in order to avoid any defaulted text
- Digital imaging will be output in CMYK process
- Use ZIP compression for multiple files
- Please make sure to embed any and all images used.

Trim Line

Safe Guide

Bleed

Sewing line

\*sewing line can be adjusted,  
extra fees may apply