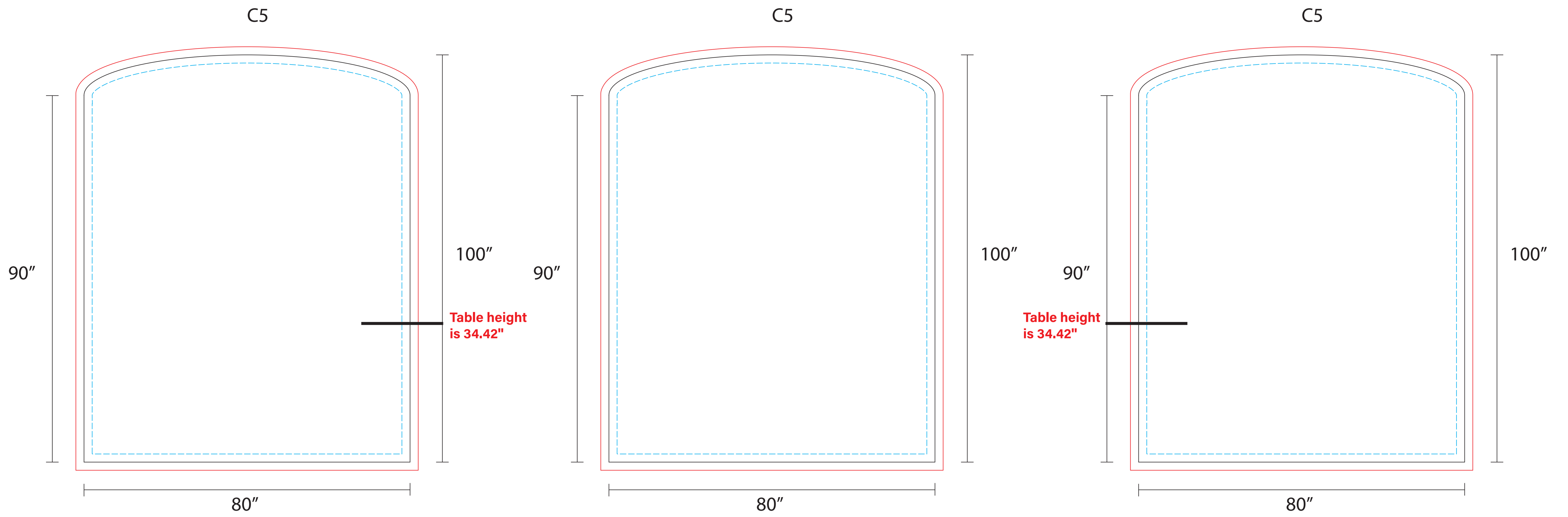


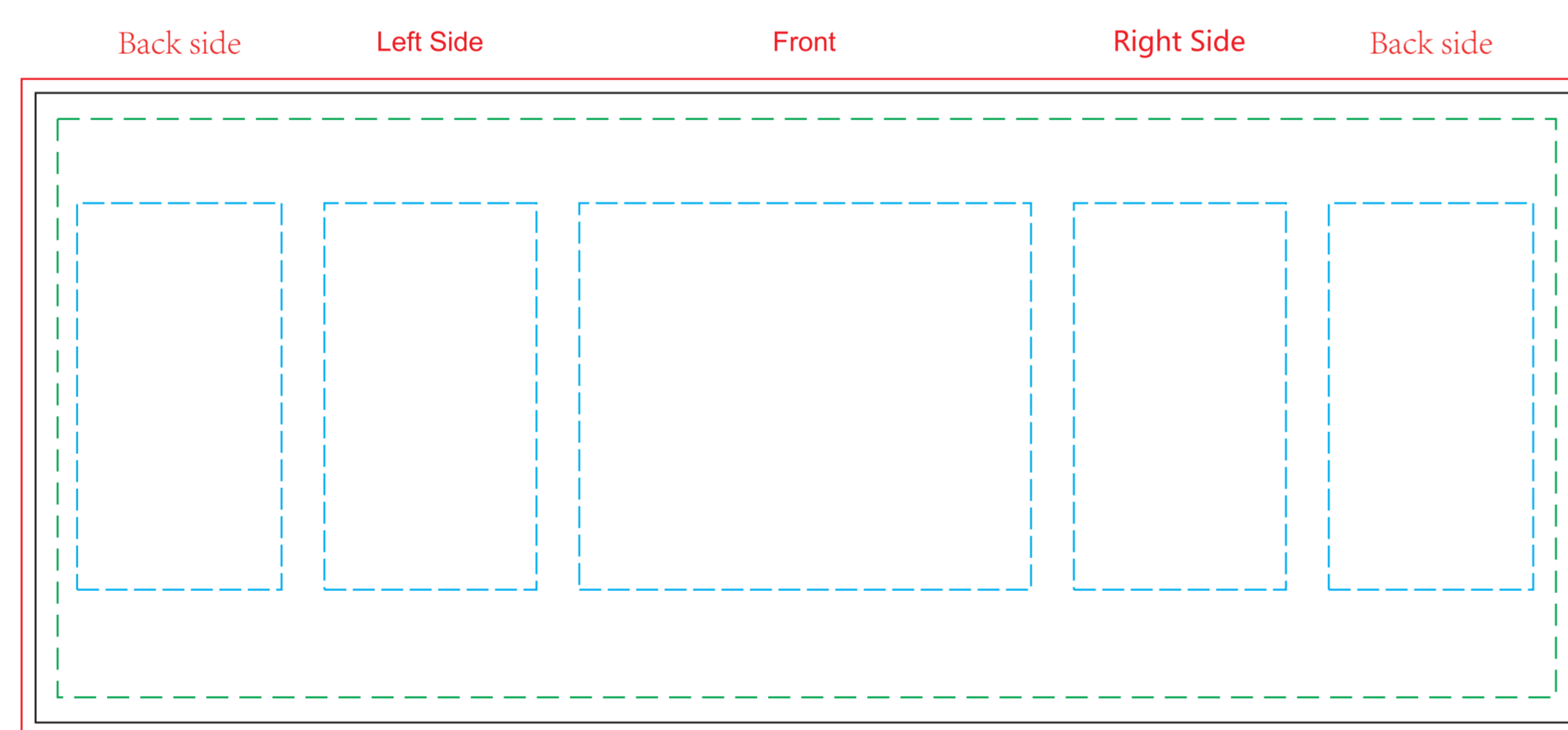
SCALE 10%
OF ACTUAL SIZE

- Safe Area
- Sewing Line
- Bleed Line
- Cut Line

Booth 1215 Template



Counter Template



Counter Template

