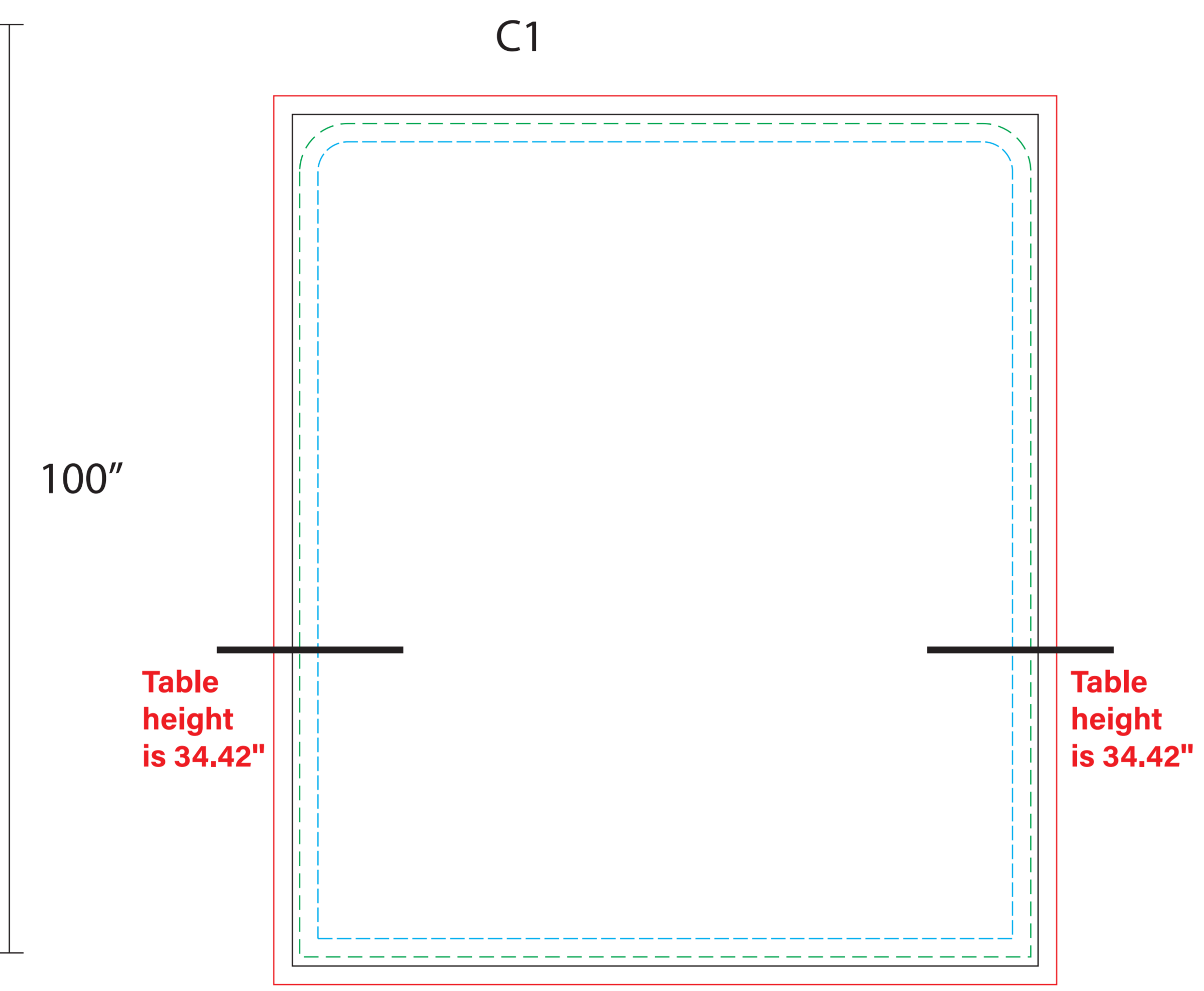
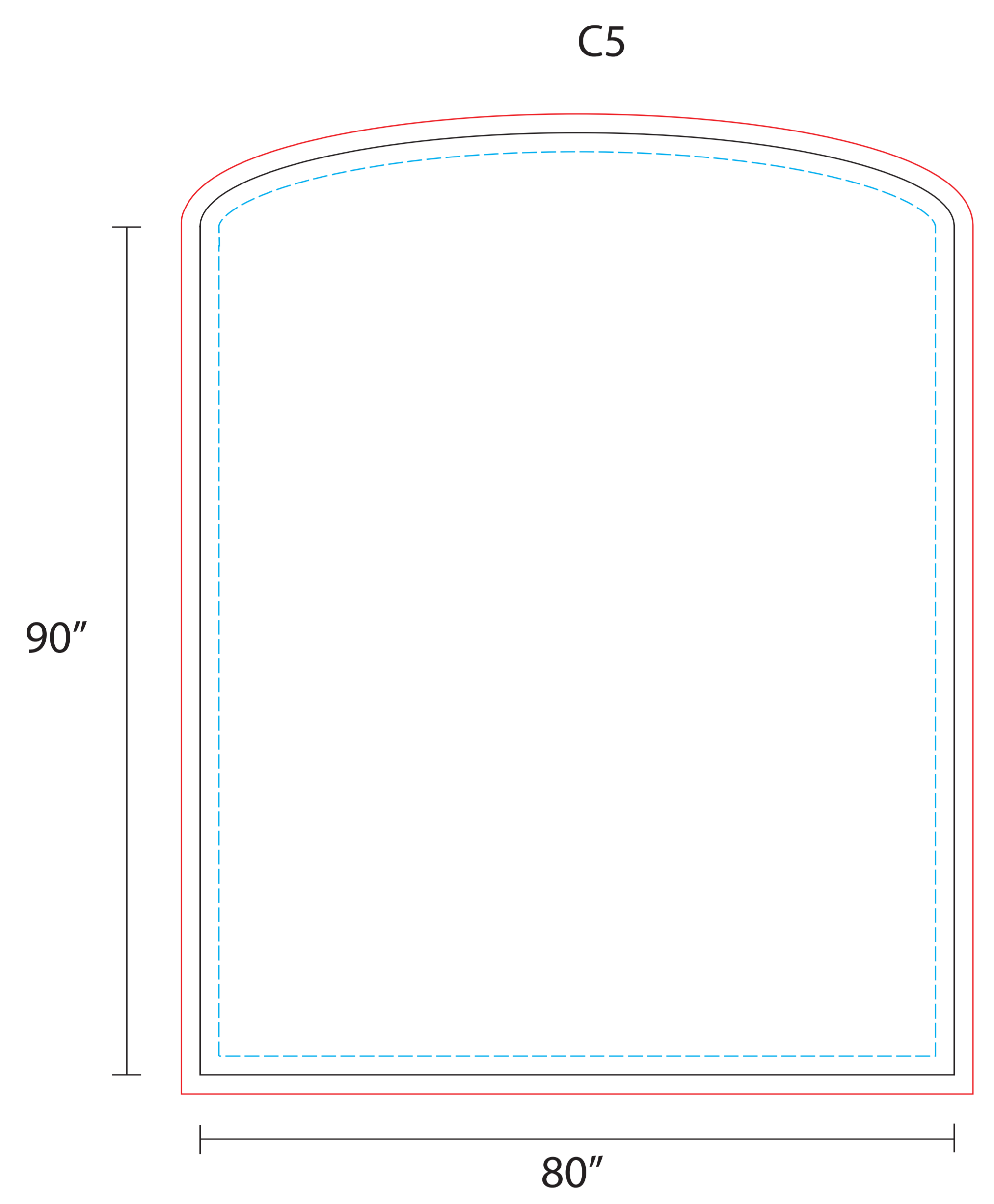


SCALE 10%  
OF ACTUAL SIZE

# Booth 1203 Template

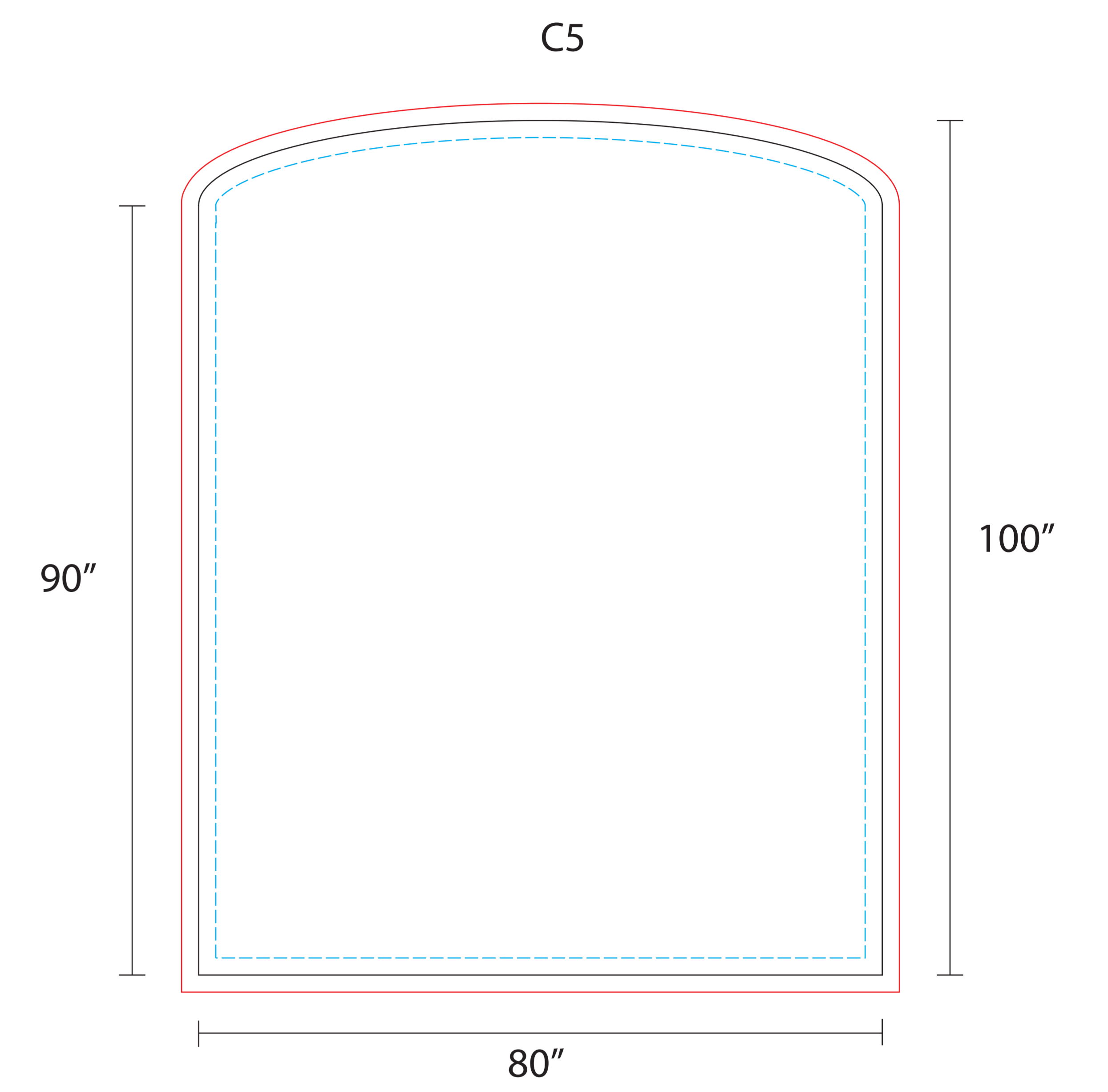
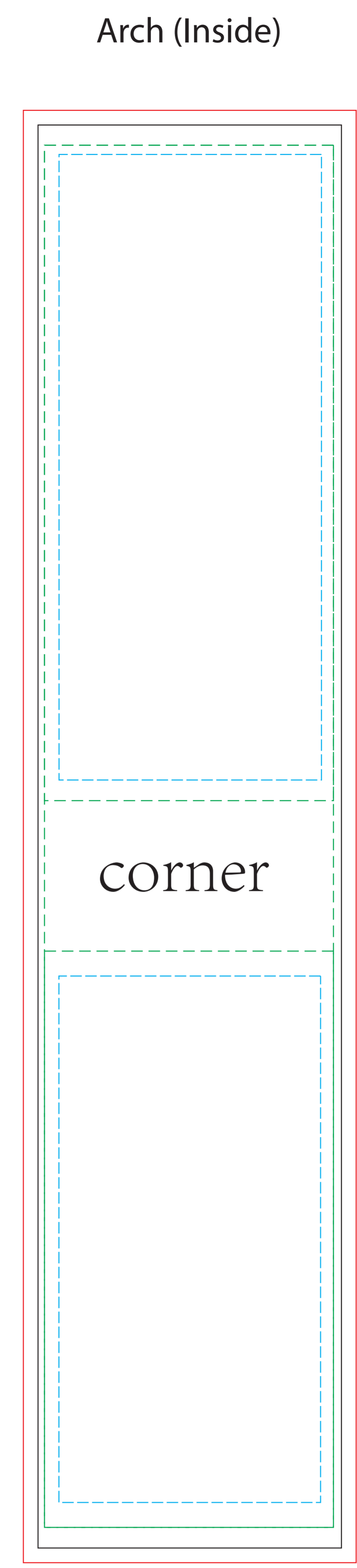
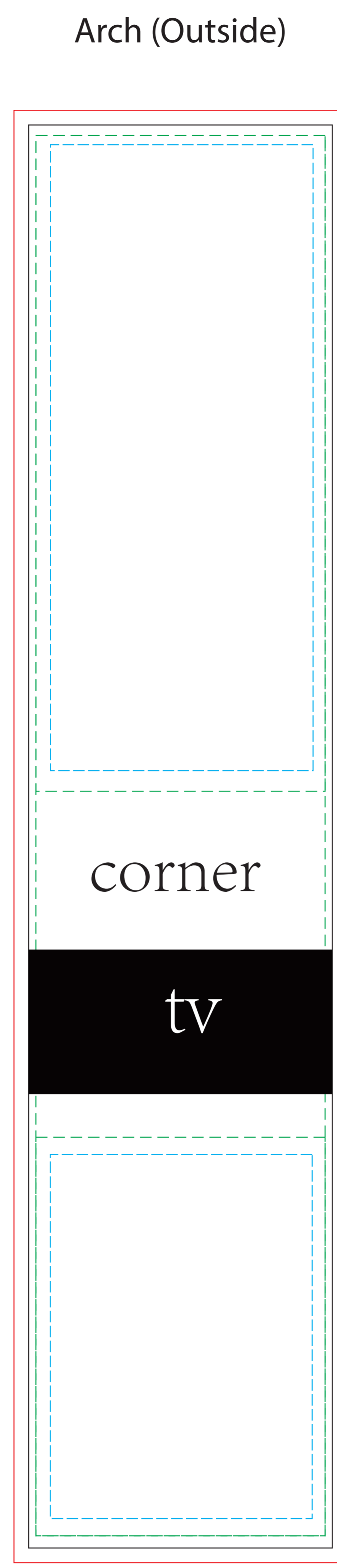
- Safe Area
- Sewing Line
- Bleed Line
- Cut Line



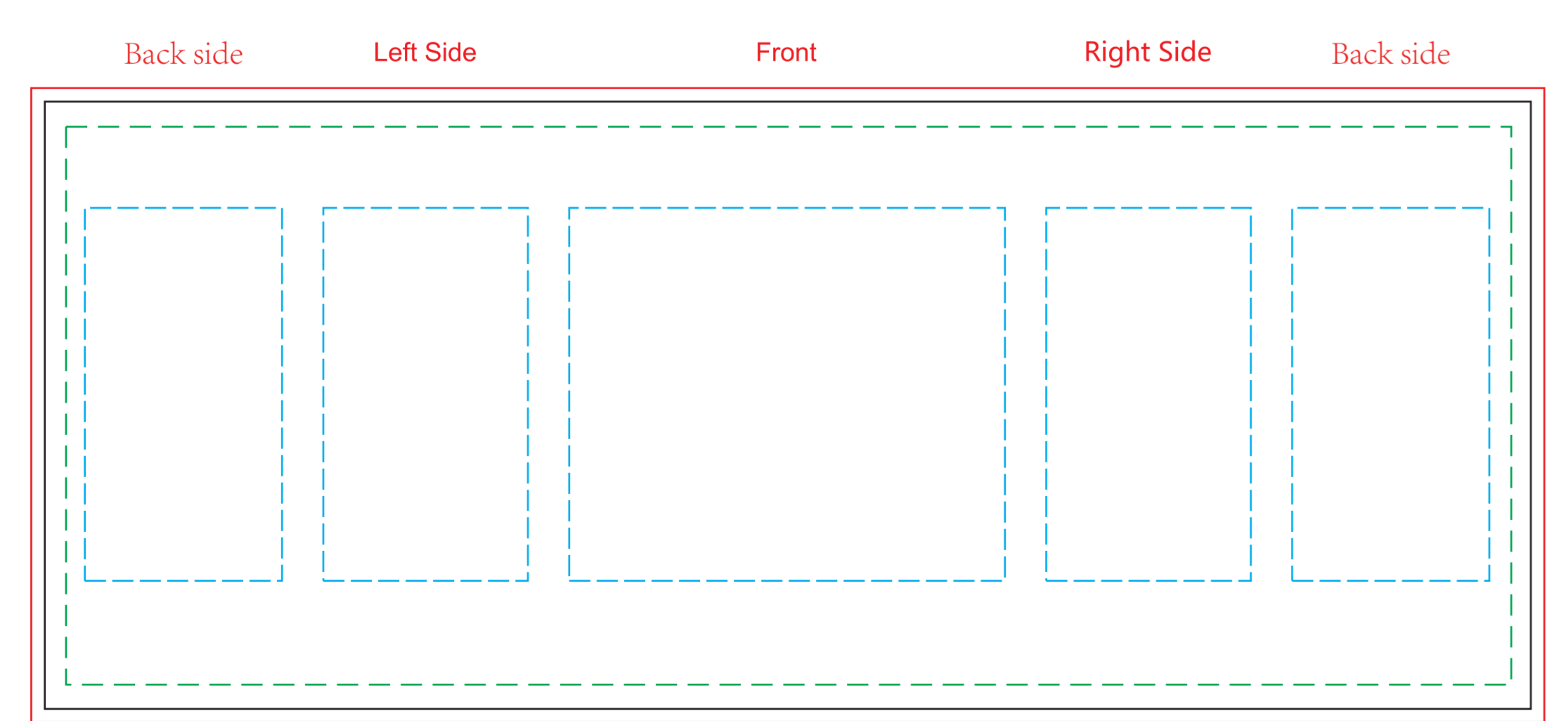
Top

Fold in the Arch

Forward Facing



## Counter Template



## Counter Template

